

HEXTA Transformer

AUTO TRANSFORMER DRY TYPE



Fig.1 Front & Back View



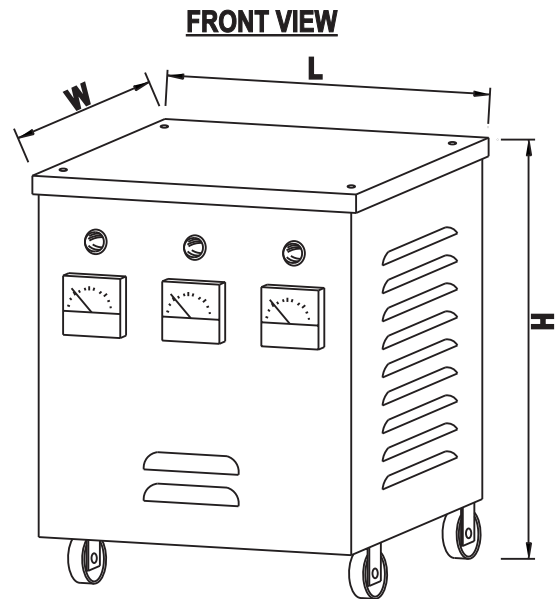
Fig.2 Top View (Open Door)

| KVA | Dimension Box (mm) | | | Weight (Kg) |
|-----|--------------------|-------|--------|-------------|
| | Length | Width | Height | |
| 3 | 320 | 270 | 450 | 55 |
| 5 | 410 | 280 | 560 | 45 |
| 7.5 | 440 | 290 | 580 | 60 |
| 10 | 490 | 290 | 640 | 82 |
| 15 | 490 | 290 | 710 | 85 |
| 20 | 490 | 290 | 720 | 95 |
| 25 | 510 | 300 | 760 | 105 |
| 30 | 550 | 350 | 810 | 109 |
| 35 | 550 | 350 | 860 | 125 |
| 40 | 560 | 360 | 920 | 153 |
| 45 | 550 | 360 | 1000 | 166 |
| 50 | 580 | 480 | 1000 | 186 |
| 60 | 650 | 440 | 1000 | 180 |
| 75 | 680 | 450 | 1050 | 195 |
| 100 | 760 | 450 | 1110 | 300 |
| 125 | 920 | 670 | 930 | 350 |
| 150 | 930 | 650 | 980 | 350 |
| 200 | 1080 | 580 | 1060 | 430 |
| 250 | 1140 | 600 | 1060 | 495 |
| 315 | 800 | 590 | 1110 | 565 |

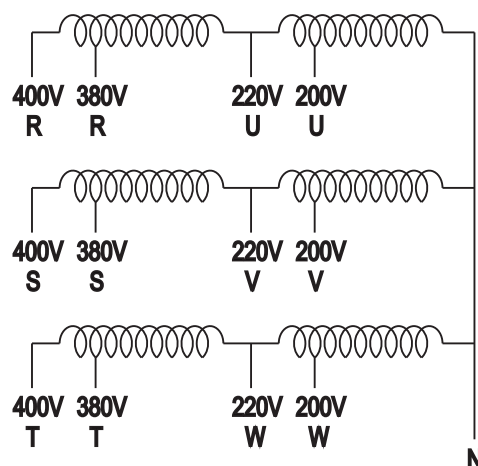
* Data subject to change without prior notice.

Update Agt 2015

Primary : 400/231V - 380/220V - 220/127V - 200/115V
 Secondary : 200/115V - 220/127V - 380/220V - 400/231V



WIRING DIAGRAM AUTO TRANSFORMER



Marketing :