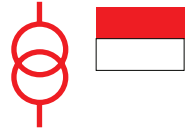
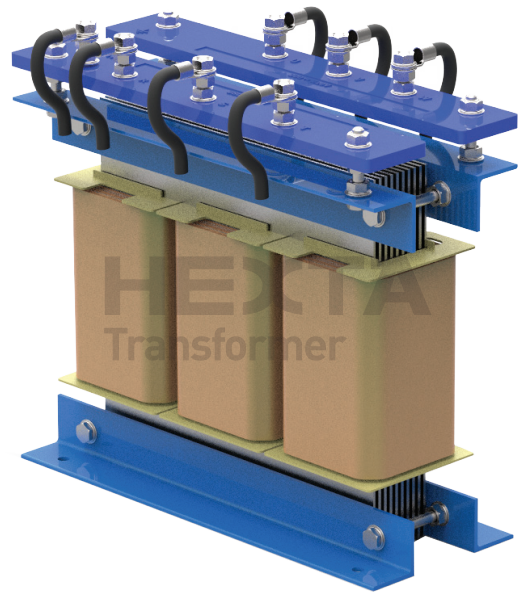


HEXTA

Transformer



Hexta Isolation Transformer
with Enclosure standard SPLN



General Data

Rated input voltage	100 - 600 V				
Rated output voltage	100 - 600 V				
Vector Group	Dyn-11 / Dyn-5 / Dd -0				
	YNd-11 / YNd-5 / YNyn-0				
Rated power	from 1 kVA to 1000 kVA				
Insulation class	A	E	B	F	H
Temperature rise	60° C	75° C	80° C	100° C	125° C
Ambient temperature	40° C (maximum)				

Accessories and Optional Design

- Terminal board or busbar for connections and spacious wiring
- Aluminium wound designs, Copper (optional)
- Low temperature designs
- Electrostatic shield for quality power (K-13)

Protections (Optional)

- Over current protection MCCB/MCB
- Over/Under voltage protection
- Phase failure protection
- Surge protection

Certification & Compliant

Standard	SPLN
Certificate Quality	ISO 9001:2015

Applications

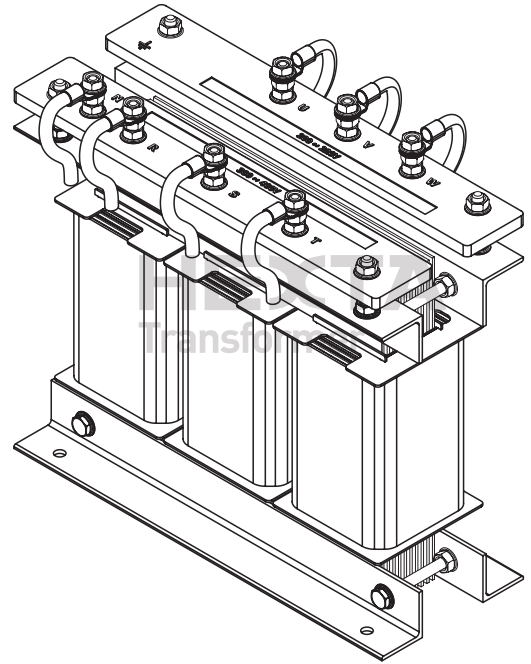
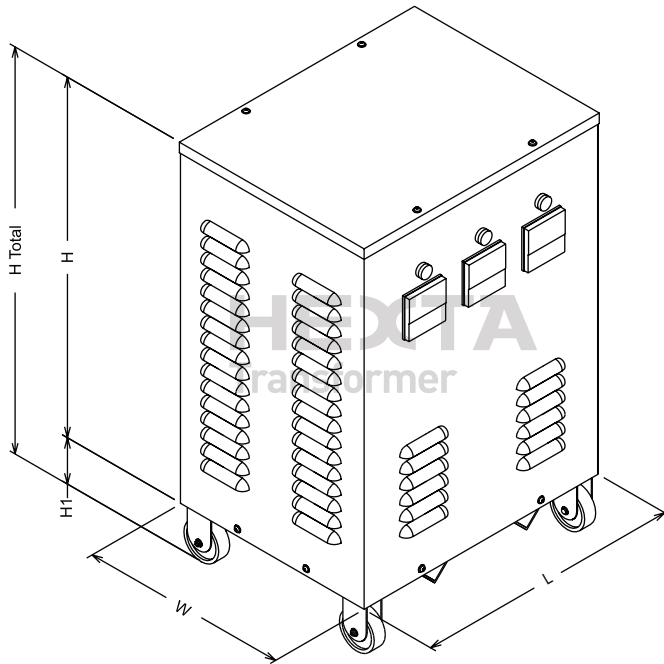
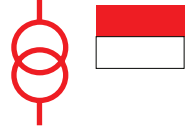
Isolation Three-phase transformer suitable for any application. In particular:

- Machinery & equipments
- Factory automation machine
- Medical equipment
- Maritime and offshore
- Energy sectors
- Laboratory
- Railways
- Telecom

Upon Request

The transformers could be customized with :

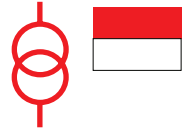
- Wheels for Movement
- Different Voltages
- Different Vector Group
- Different Enclosures
 - Standard Indonesia
 - Standard Europe
 - Standard USA
 - Standard Japan



Technical data SI3TI-1 ~ SI3TI-250

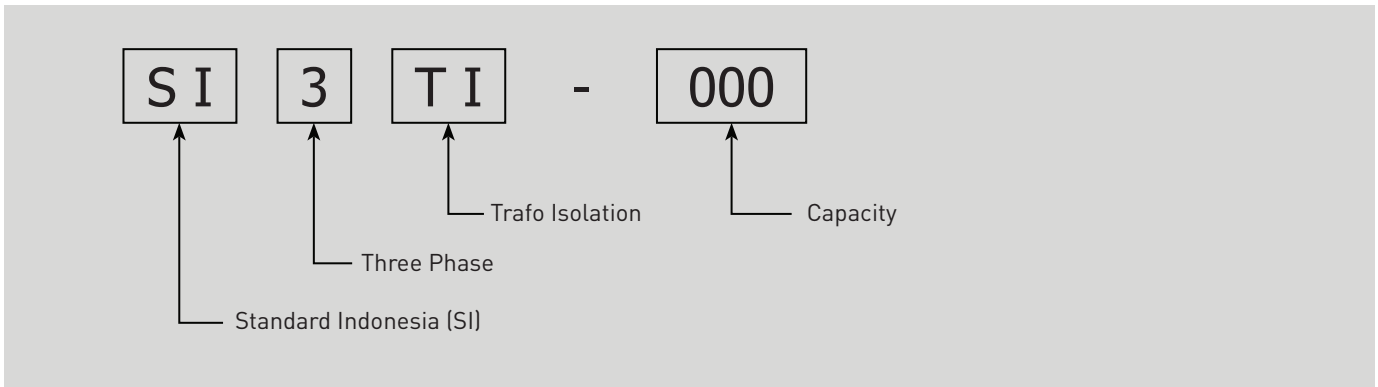
CODE NUMBER	RATED POWER	DIMENSIONS (mm)					WEIGHT
	kVA	L	W	H	H1	H total	
SI 3TI - 1	1	320	270	370	15	385	34
SI 3TI - 2	2	320	270	370	15	385	34
SI 3TI - 3	3	440	280	500	80	580	43
SI 3TI - 5	5	440	280	500	80	580	50
SI 3TI - 7.5	7,5	440	280	500	80	580	63
SI 3TI - 10	10	440	280	500	80	580	66
SI 3TI - 15	15	480	350	600	80	680	96
SI 3TI - 20	20	500	400	680	80	780	111
SI 3TI - 25	25	550	450	700	80	680	124
SI 3TI - 30	30	550	450	700	100	780	140
SI 3TI - 35	35	550	450	700	100	780	142
SI 3TI - 40	40	550	450	700	100	800	154
SI 3TI - 45	45	650	480	800	100	900	192
SI 3TI - 50	50	650	480	800	100	900	197
SI 3TI - 60	60	650	480	800	100	900	215
SI 3TI - 75	75	650	480	800	100	900	288
SI 3TI - 100	100	760	520	900	150	1050	415
SI 3TI - 125	125	760	520	900	150	1050	438
SI 3TI - 150	150	860	650	1050	100	1150	559
SI 3TI - 200	200	860	650	1050	100	1150	568
SI 3TI - 250	250	860	650	1050	100	1150	740

Hexta Transformer with its constant development reserves the right to modify the above dimension without notice. Update Jan-2023.



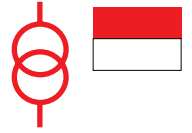
Description of Selection Table

This is a brief guide of code number in technical data table on page xx. Use the code to order our tranformer.

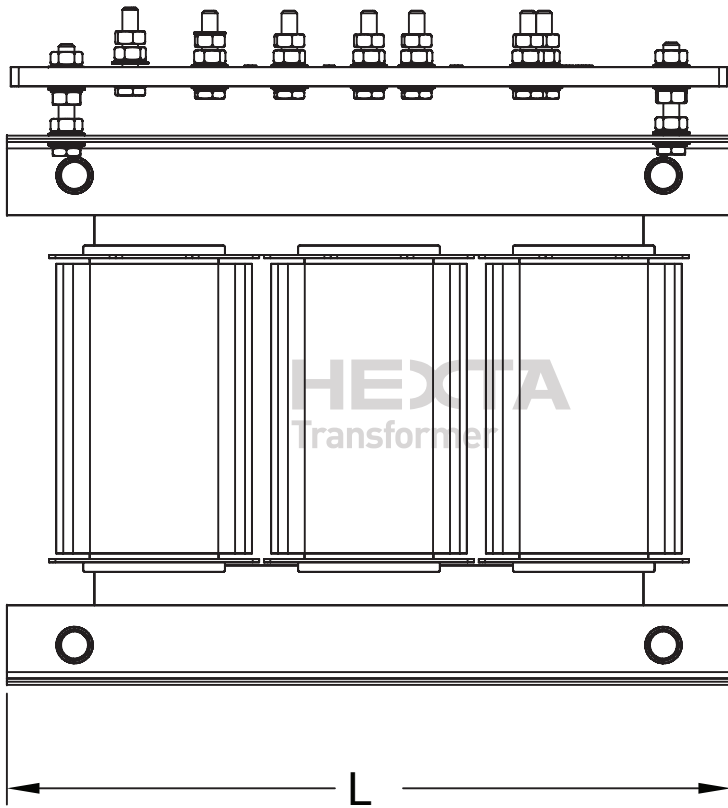


Electrical Connections (Three Phase)

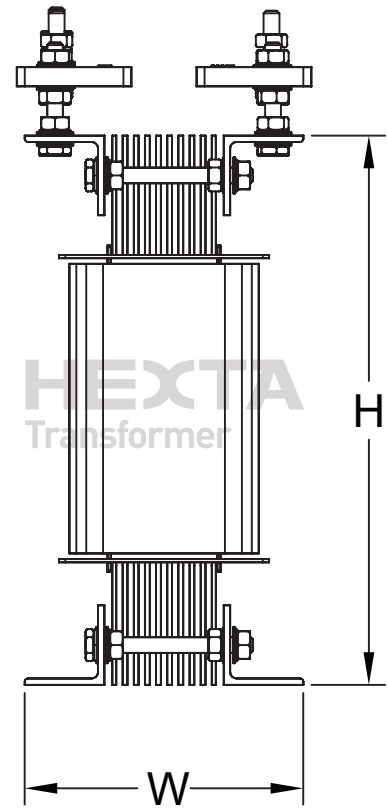
	Delta - Star (Dyn - 11) Connections	Delta - Star (Dyn - 5) Connections	Delta - Delta (Dd - 0) Connections
Primary Voltage 100 - 600V Secondary Voltage 100 - 600V	<p>Primary Connection (DELTA) Secondary Connection (STAR)</p>	<p>Primary Connection (DELTA) Secondary Connection (STAR)</p>	<p>Primary Connection (DELTA) Secondary Connection (DELTA)</p>
	Star - Delta (YNd - 11)	Star - Delta (YNd - 5)	Star - Star (YNyn - 0)
Primary Voltage 100 - 600V Secondary Voltage 100 - 600V	<p>Primary Connection (STAR) Secondary Connection (DELTA)</p>	<p>Primary Connection (STAR) Secondary Connection (DELTA)</p>	<p>Primary Connection (STAR) Secondary Connection (STAR)</p>



Design Style



Front view



Side view