

SMART STABILIZER

# YORITSU SDX series

Technical Brochure



## Digital Automatic Voltage Regulator

**IRS™ Protection**

*(Intelligent Respond Systems)*

**Simple LED Display Indicator**

**Safety & Compact Design**

**Great Value**



## AT A GLANCE

### Yoritsu Stabilizer, always Engineer's Choice

Berdiri sejak 1991. Setelah berhasil dengan Yoritsu Stabilizer Analog maka pada tahun 1997 Yoritsu mengembangkan Stabilizer Digital yaitu bekerja sama dengan SALICRU, SA Spanyol, manufacturer Stabilizer Digital terbaik di dunia.

Pada tahun 2022 Yoritsu Stabilizer memperkenalkan Smart Stabilizer SDX-Series dengan Technology IRS™ (Intelligent Response Systems) pengoperasian "Tanpa Operator" sehingga memberikan Protect and Safe kepada konsumen. Protect adalah melindungi peralatan listrik konsumen sedangkan Safe adalah keamanan dan kenyamanan konsumen dengan minimalnya interaksi dengan unit stabilizer (less human interaction).



Stabilizer Yoritsu SDX-10 & SDX-7.5

## Protection with IRS™ Technology

IRS™ - Intelligent Response Systems adalah intelligent software diprogram kedalam processor STM 8 Core yang meresponse dengan cepat dan akurat dengan memutuskan dan menyalakan stabilizer secara otomatis "Tanpa Operator" bila terjadi kondisi berikut :

- Over voltage output  $\geq 242$  V
- Under voltage output  $\leq 170$  V
- Temperature  $\geq 95$  °C
- Over current  $\geq 110\%$  load
- Starting protection : 170 V - 240 V



“ **IRST™ akan memutuskan voltage dalam 5 detik dan otomatis menyalakan kembali “tanpa operator” bila voltage / temperature / beban sudah pada range normal.** ”

## ADVANTAGE & BENEFIT

### Keunggulan Stabilizer Yoritsu SDX Series

1. **DC Servo Motor Tzukasa** - Strong torque, heavy duty, silent dan long lasting.

2. **Technology IRS™ (Intelligent Response Systems)**

1. Undervoltage Protection : Temporary Cut-Off & ON
2. Overvoltage Protection : Temporary Cut-Off & ON
3. Over temperature Protection : Temporary Cut-Off & ON
4. Surge Protection : Temporary Cut-Off & ON
5. Starting Protection : Temporary Cut-Off & ON
6. Overload Protection-1 : Temporary Cut-Off & ON
7. Overload Protection-2

Bila overload terjadi berturut-turut 3 kali selama 1 jam, maka IRS™ akan melakukan Permanent CUT-OFF di MCB Stabilizer secara otomatis.

3. **Protect and Safe** : Perlindungan terhadap alat-alat listrik dan keamanan konsumen.

4. **Customer Satisfaction** : 90 hari jaminan uang kembali tanpa pertanyaan.

5. **Quality Assurance**: Full Guarantee spare parts selama 2 Tahun.

Note : Selain 5 keunggulan yang tidak dimiliki oleh stabilizer merk

lain, Yoritsu juga sangat memperhatikan Sumber Daya Manusia dan After Sales Service yang tercermin dibawah ini :

6. **Certified Technician** - teknisi melalui training ketat yaitu perakitan, latihan pemasangan, classroom lecture, case study dan written test.

7. **Spareparts - 100 % ready stock.**

8. **Service** - 1 x 24 jam untuk jabotabek, 2 x 24 jam untuk luar kota.

9. **Quality Certification** - ISO 9001 - 2015.



## Key Feature

- Intelligent CPU centralized control technology by 16 MHz advanced STM 8 core with Harvard architecture and 3 stage pipeline.
- Genius LCD display shows all protection & functions
- Trendy & modern desktop design.



Stabilizer Yoritsu SDX-5, SDX-3 & SDX-2

## ERGONOMICS

Design to simplify

### Genius LED Digital Display

A front panel LED display alerts you to a variety of stabilizer operating conditions. The easy-to-read interface provides more information than another generic model, allowing you to react to alerts before your systems are placed at risk.

#### I/O Selector Button

Tombol yang ditekan sekali untuk menampilkan nilai voltage power Input atau Output secara bergantian.

#### Normal Indicator

LED ini menyala saat kondisi stabilizer berjalan normal.

#### Input Indicator

LED ini menyala saat ada aliran listrik masuk dan padam saat listrik putus.

#### Alarm Status Indicator

LED ini menyala satu atau lebih, saat stabilizer mengalami trouble.

#### Voltage Display

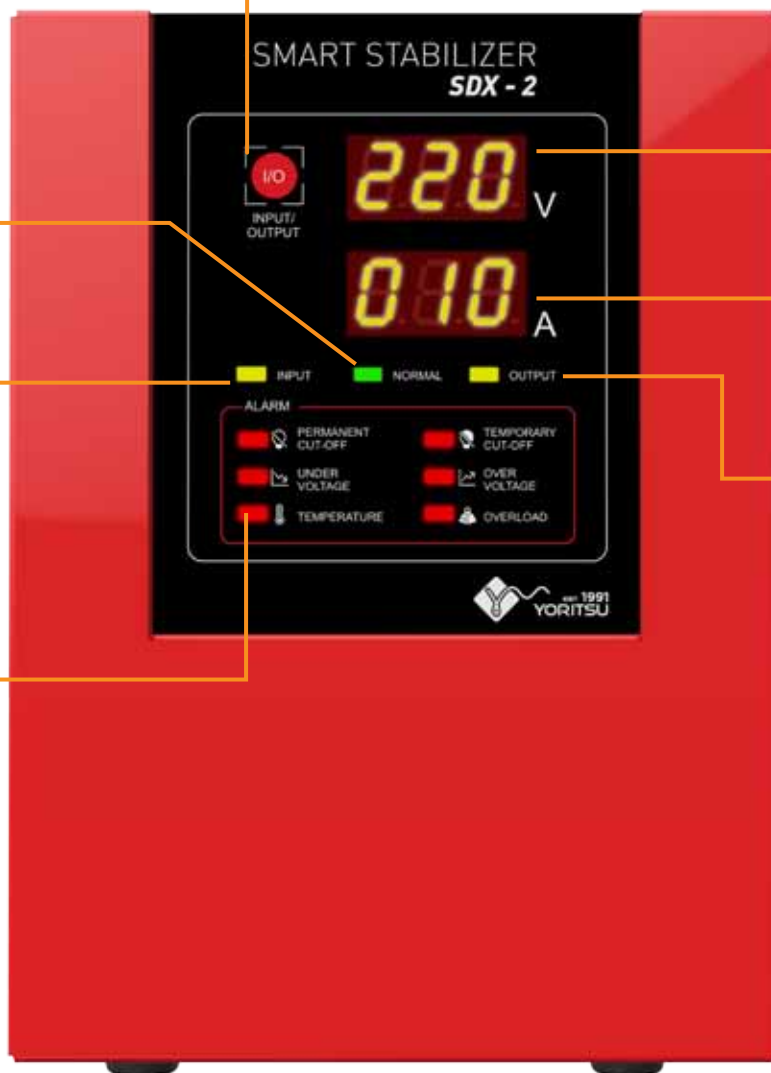
Menampilkan nilai voltage dari power Input atau Output.

#### Ampere Display

Menampilkan nilai ampere dari power Input.

#### Output Indicator

LED ini menyala saat ada aliran listrik keluar dan padam saat terjadi trouble.



## APPLICATIONS

Ideal to Office & Domestic usage

- Office Room, Meeting Room, Business Building
- Villa, Luxury House, Living Room, Dining Room, Kitchen
- Schools, University, Kindergarten
- Treadmill, Fitness Center, Game & Arcade Center
- Laboratory, Hospital, MRI Scan, CT Scan
- Lighting Equipment, Photographs Equipment
- Computer, Workstation, Server, Data Center
- Restaurant, Café, Mini mart, Supermarket, Mall Tenant
- Air Conditioning System, Chiller, Refrigerator, Cooler
- TV Broadcast Studio, Radio Studio, Recording Studio



Lab



Data center



Medical



Telecom



Transportasi



Banking



Network



Retail



Security



Industrial



## DIMENSIONS

### Technical specifications

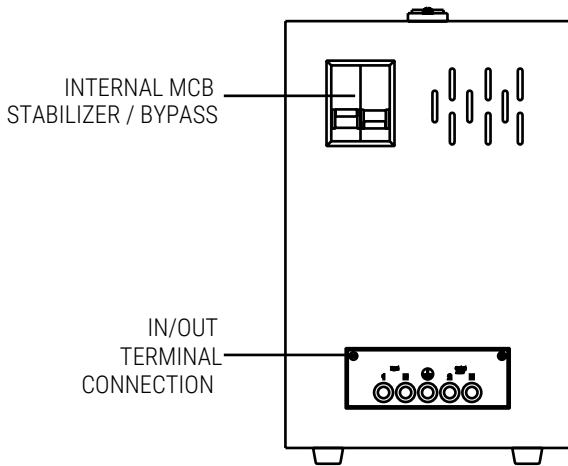


Model	SDX-2 (Terminal)	SDX-3 (Terminal)	SDX-5 (Internal MCB)	SDX-7.5 (Internal MCB)	SDX-10 (Internal MCB)
	or SDX-2S (Socket)	or SDX-3S (Socket)	or SDX-5S (External MCB)	or SDX-7.5S (External MCB)	or SDX-10S (External MCB)
Capacity	2000 VA	3000 VA	5000 VA	7500 VA	10.000 VA
Input Voltage	150 - 240 V				
Output Voltage	220 V $\pm$ 1 %				
Phase / Frequency	Single Phase / 45 - 60 Hz				
Response Time	Within 1 second against 10 % input voltage deviation.				
Efficiency	Better than 98 % (input voltage 180 V, output voltage 220 V and at rated load).				
Ambient Temperature	-5 °C to +40 °C				
Ambient Humidity	Less than 90% (relative humidity).				
Temperature Rise	Less than 75 °C (input voltage 180 V, output voltage 220 V and at rated load).				
Cooling System	Convention Cooled/Air Forced				
Control System	DC servo motor				
Dielectric Strength	3000 V for 1 min				
Dimension ( D x W x H ) mm	305 x 170 x 240	320 x 180 x 280	410 x 190 x 310	430 x 220 x 330	430 x 220 x 330
Weight ( Kg )	10.60	12.30	19.80	27.50	28.20

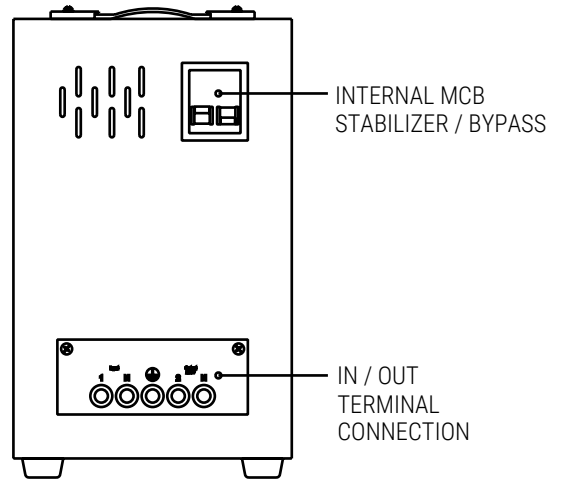
## CONSTRUCTION

Choose the best connection for you

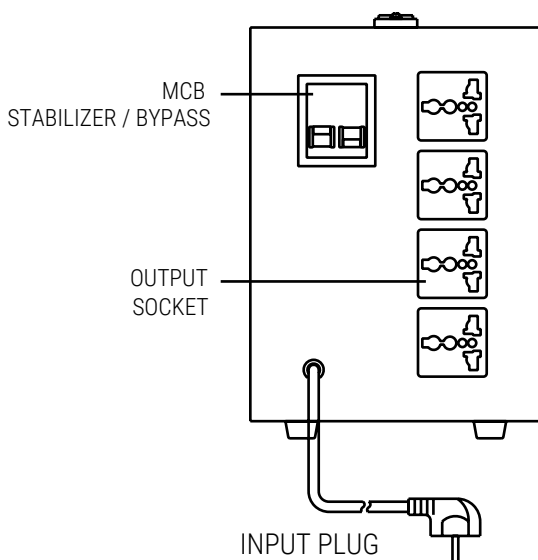
**1** BACK VIEW  
SDX-2 / SDX-3  
( Terminal Block )



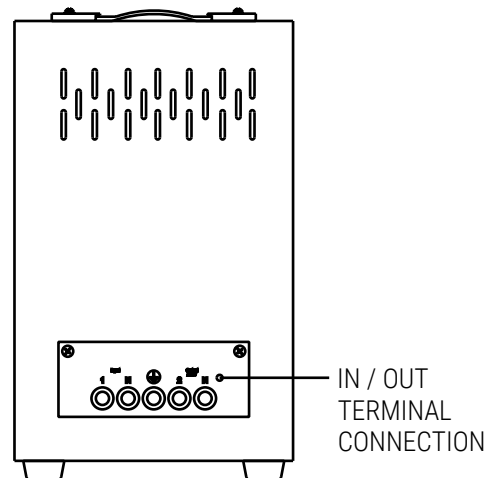
**2** BACK VIEW  
SDX-5 / SDX-7.5 / SDX-10  
( Internal MCB )



**3** BACK VIEW  
SDX-2S/SDX-3S  
( Socket )



**4** BACK VIEW  
SDX-5S / SDX-7.5S / SDX-10S  
( External MCB )





# SMART STABILIZER YORITSU SDX series



Copyright © Yoritsu Indonesia Co., Ltd.  
All rights reserved. No part of this document may be reproduced or transmitted in any form or by any means without prior written consent of Yoritsu Indonesia Co., Ltd. We may change the information at any time without notice.

